



# NEWCASTLE FIRE PROTECTION DISTRICT

9350 OLD STATE HIGHWAY, NEWCASTLE, CA 95658

530-878-0405 FAX 530-878-0959 WWW.NEWCASTLEFIRE.ORG

*DIRECTORS: Lawrence Bettencourt, Jonita Elder, Robin Enos, James Heisterkamp, William Kahrl  
Fire Chief Ian Gow*

## NOTICE OF A REGULAR MEETING and AGENDA

**Wednesday, November 15, 2023 @ 6:00 p.m.**

**Long Valley Community Hall, 2008 Rattlesnake Rd., Newcastle CA 95658**

**This meeting will be open to in-person attendance.**

***The meeting is also offered through a virtual Zoom meeting webinar. To join the meeting:***

<https://us02web.zoom.us/j/7699308229>

[Meeting ID: 769 930 8229](https://us02web.zoom.us/j/7699308229)

[Find your local number: https://us02web.zoom.us/u/kTxrun2H0](https://us02web.zoom.us/j/7699308229)

1. **CALL MEETING TO ORDER:** Pledge of Allegiance
2. **APPROVAL OF AGENDA:**
3. **APPROVAL OF MINUTES:** October 18, 2023 regular Meeting
4. **BILL APPROVAL AND FINANCIAL REPORT:** October/November 2023
5. **CORRESPONDENCE:**
6. **PUBLIC COMMENT:** (The Newcastle Fire Protection District Board of Directors has provided this period for members of the public to address the Board on items of interest to the public and which are applicable to the district. No action may be taken on any matter, which is not already on the agenda for consideration. Public comment will be limited to three (3) minutes per person, unless specifically authorized otherwise by the Chair).
7. **CHIEFS REPORTS:**
  - (A) Fire Chief Gow
  - (B) Fire Marshal D'Ambrogi
  - (C) Battalion Chiefs Nelson, Slusher and Williamson
8. **NEVADA COUNTY PROFESSIONAL FIREFIGHTERS, LOCAL 3800 REPORT**
9. **BOARD COMMITTEE REPORTS:**
  - (A) Building Committee: Fire station (Chair Kahrl and Director Bettencourt).
  - (B) Inter-district Cooperation Ad-hoc Committee (Chair Kahrl and VC Elder).
10. **INFORMATIONAL AND DISCUSSION ITEMS:**
  - (A)
11. **ACTION ITEMS REQUIRE A VOTE BY ROLL CALL**
  - (A) Fire Board vacancy: Interview applicants, appoint and seat the new Director
    1. Oath of Office for new Board member
    2. Review of Board Committee assignments
  - (B) Consider and approve the first reading of the Capitalization Policy
  - (C) Consider and approve staff's request to purchase the following items:
    1. Fuel vault for gas and diesel – approximate cost \$20,000 to \$25,000
    2. 8 Self Contained Breathing Apparatus – cost \$80,000.
12. **DIRECTORS REPORTS:**
13. **MEETING ADJOURNED:**

***Next Board meeting: December 20, 2023***

*Newcastle Fire Protection District is committed to accommodate individuals with disabilities to participate in the public meeting process. If you have a special need to attend or participate in our public meetings, please contact our office at (530) 878-0405, in advance of the regular meeting so that we may make every reasonable effort to accommodate you.*

**NEWCASTLE FIRE PROTECTION DISTRICT IS AN EQUAL OPPORTUNITY PROVIDER AND EMPLOYER.**

Newcastle Fire Protection District  
Minutes of Special Board of Directors Meeting  
October 18, 2023  
Held via teleconference and in-person at:  
Long Valley Community Hall  
2005 Rattlesnake Rd., Newcastle, CA 95658

**1. Call Meeting to Order**

- a. VC Elder called the meeting to order at 6:01 p.m.
- b. Director Bettencourt led the flag salute.
- c. Directors Elder, Heisterkamp and Bettencourt were present. Chairman Kahrl was absent.
- d. Chief Gow and BC Nelson were present.

**2. Approval of Agenda**

- a. Director Bettencourt made a motion to approve the agenda as presented. Secretary Heisterkamp seconds the motion. Motion carries unanimously via roll call vote (3/0).

**3. Approval of Minutes**

- a. Secretary Heisterkamp made a motion to approve the minutes of the October 18th regular meeting as presented. Director Bettencourt seconds the motion. Motion carries unanimously via roll call vote (3/0).

**4. Approval of Financial Report**

- a. Director Bettencourt made a motion to approve the financial report as presented by Chief Gow. Secretary Heisterkamp seconds the motion. Motion carries unanimously via roll call vote (3/0).

**5. Correspondence**

- a. None

**6. Public Comment**

- a. Jon Anacker – Gave kudos to the Placer County Chipper Program. Mr. Anacker highly encourages residents to “think outside the box” when it comes to wildfire fuel mitigation.

**7. Chief’s Report**

- a. Chief Gow reporting:
  - i. Newcastle
    1. There was a residential structure fire at the business across the street from the Long Valley Community Hall (48 Planks). A professional job was done by all.
    2. A board vacancy has been posted. So far there have been no applications received.
  - ii. Penryn
    1. Looking into purchasing a new type 3 engine.
    2. In the middle of labor negotiations.
  - iii. Placer Hills
    1. Have not filled the Engineer/Paramedic position.
    2. MOU committee meets next week.
    3. Nicole’s position has been filled
    4. Final 3 candidates for Gill’s job are being interviewed next week.
  - iv. All 3 districts are attempting to meet with county supervisors.
  - v. Local 3800 is also meeting with each supervisor.
  - vi. LAFCO MSR (*Municipal Services Review*) is continuing. Each districts management and some board members are being interviewed.
  - vii. Auburn City has browned out station 3 (Maidu).
- b. Fire Marshal D’Ambrogi Reporting:
  - i. No report.
- c. BC Nelson Reporting:
  - i. 43 Calls for September. 579 YTD. 581 this time last year.

**8. Newcastle Professional Firefighter's Association**

- i. No report

**9. Board Committee Reports**

- a. Building Committee report on the new fire station.
  - i. Director Bettencourt reporting:
    1. Working with Placer Hills to get a bid for a fuel tank at station 41. A 50/50 grant will be applied for.
    2. Between 11/10 and 12/10 PG&E is supposed to string the line across the freeway.
- b. Inter-district Cooperation Ad-hoc Committee.
  - i. No movement is anticipated until the MSR is complete.

**10. Informational/Non-Action Items**

- a. None

**11. Action Items**

- a. Consider a request from Ms. Mahaffey-Raty to exempt Measures F and B from her property – APN 042-225-010-000.
  - i. After much board discussion, Secretary Heisterkamp made a motion to deny Ms. Mahaffey-Raty's request and directed the Fire Chief to ask Gill to send a letter to Ms. Raty on how to combine parcels. Director Bettencourt seconds the motion. Motion carries unanimously via roll call vote (3/0).
- b. Consider and approve the Appropriations (GANN) limit of \$1,883,073.81 for FY 2023-2024 as prepared by the Placer County Auditor-Controller. Secretary Heisterkamp made a motion to approve the GANN limit as presented. Director Bettencourt seconds the motion. Motion carries unanimously via roll call vote (3/0).
- c. Consider and approve staff to submit an application for a USDA Community Facilities Grant for equipment not to exceed \$100,000.00. The district's share not to exceed \$50,000.00.
  - i. Director Bettencourt reported that the grant would be used to buy a fuel vault for station 41.
  - ii. Secretary Heisterkamp made a motion to approve the submission of a grant application with the district's matching share not to exceed \$50k. Director Bettencourt seconds the motion. Motion carries unanimously via roll call vote (3/0).

**12. Director's Reports**

- a. Director Bettencourt reported that he attended the South Placer Fire board meeting as an observer.

**13. VC Elder adjourned the meeting at 6:55 p.m.**

Respectfully Submitted:

  
\_\_\_\_\_  
Patrice Metz, Recording Secretary

\_\_\_\_\_  
Approved

**Newcastle Fire General Fund**  
**Revenue and Expense Report**  
Fiscal Year 2023/2024

	<u>Jul 1 - Nov 1...</u>	<u>Budget</u>	<u>% of Budget</u>
<b>Income</b>			
<b>REVENUE</b>			
Property Taxes	6,019.86	333,398.00	1.8%
40180 Other Taxes	791.52	570,646.00	0.1%
42010 Investment Income	4,107.74	500.00	821.5%
44350 State Homeowners Relief	0.00	1,716.00	0.0%
45010 Grants	4,417.72	0.00	100.0%
<b>46350 Fire Services</b>			
Fire Recovery	2,093.73	1,500.00	139.6%
Strike Team deployments	26,736.42	49,000.00	54.6%
<b>Total 46350 Fire Services</b>	<b>28,830.15</b>	<b>50,500.00</b>	<b>57.1%</b>
46360 Other Fees and Charges	2,625.00	12,000.00	21.9%
48030 Miscellaneous	485.20	200.00	242.6%
49030 Proceeds asset sale	436,299.10	0.00	100.0%
<b>Total REVENUE</b>	<b>483,576.29</b>	<b>968,960.00</b>	<b>49.9%</b>
<b>Total Income</b>	<b>483,576.29</b>	<b>968,960.00</b>	<b>49.9%</b>
<b>Expense</b>			
<b>EXPENSES</b>			
52030 Fire Protective clothing	1,468.96	4,000.00	36.7%
52040 Communication Services	150.00	1,500.00	10.0%
52060 Station/Household Expense	330.50	2,500.00	13.2%
52080 General Liability Ins	14,686.00	32,410.00	45.3%
52160 Equipment Maintenance	9,780.41	15,000.00	65.2%
52170 Fuels & Lubricants	3,395.42	12,500.00	27.2%
52180 Building maintenance	2,432.28	3,000.00	81.1%
52220 Gases, medical	422.57	1,000.00	42.3%
52260 Miscellaneous Expense	577.57	1,000.00	57.8%
52330 General Office	2,305.79	2,500.00	92.2%
52360 Special Services	47,335.25	190,096.00	24.9%
52370 Professional Services	8,285.32	5,580.00	148.5%
52390 County Services	0.00	3,500.00	0.0%
52460 Small Tools, Accessories	0.00	2,000.00	0.0%
52570 Publications Legal Notice	0.00	150.00	0.0%
52580 Special District Expense	1,870.00	3,900.00	47.9%
52800 Utilities	10,880.68	25,910.00	42.0%
53190 Taxes and Assessments	15.84	0.00	100.0%
<b>Total EXPENSES</b>	<b>103,936.59</b>	<b>306,546.00</b>	<b>33.9%</b>
54440 Fixed Assets Blding/Loan Payroll Expenses	0.00	118,886.00	0.0%

**Newcastle Fire General Fund**  
**Revenue and Expense Report**  
Fiscal Year 2023/2024

---

	<u>Jul 1 - Nov 1...</u>	<u>Budget</u>	<u>% of Budget</u>
<b>51010 Salaries &amp; Wages</b>	101,499.15	471,440.00	21.5%
<b>51030 Extra Help</b>	0.00	5,250.00	0.0%
<b>51040 Overtime Call Back</b>	19,556.22	75,770.00	25.8%
<b>51220 Payroll Tax</b>	9,173.76	41,700.00	22.0%
<b>51310 Employee Group Insurance</b>	15,459.20	56,000.00	27.6%
<b>51360 Workers Comp Insurance</b>	12,164.00	49,300.00	24.7%
<b>Total Payroll Expenses</b>	<u>157,852.33</u>	<u>699,460.00</u>	<u>22.6%</u>
<b>Total Expense</b>	<u>261,788.92</u>	<u>1,124,892.00</u>	<u>23.3%</u>
<b>Net Income</b>	<u><b>221,787.37</b></u>	<u><b>-155,932.00</b></u>	<u><b>-142.2%</b></u>

**Newcastle Fire General Fund**  
**Check Detail**  
October 11 through November 12, 2023

<u>Date</u>	<u>Name</u>	<u>Memo</u>	<u>Account</u>	<u>Paid Amount</u>
11/12/2023	Dawson Oil Company		US Bank Checking	
11/12/2023			52170 Fuels & Lubricants	-988.25
TOTAL				-988.25
11/12/2023	Gold Mountain CA N...		US Bank Checking	
11/12/2023		Board vacancy pu...	SC2660 Supplies	-107.14
TOTAL				-107.14
11/12/2023	Kaiser		US Bank Checking	
11/12/2023			51310 Employee Group ...	-2,119.93
TOTAL				-2,119.93
11/12/2023	Metz, Patrice		US Bank Checking	
11/12/2023			SC2660 Recording Secr...	-75.00
TOTAL				-75.00
11/12/2023	PCWA		US Bank Checking	
11/12/2023			Water	-280.53
TOTAL				-280.53
11/12/2023	PG&E		US Bank Checking	
11/12/2023			Electricity/gas	-1,318.88
TOTAL				-1,318.88
11/12/2023	Terri Maginnis		US Bank Checking	
11/12/2023		Refund of measur...	Miscellaneous expenses	-284.23
TOTAL				-284.23
11/12/2023	US Bank		US Bank Checking	
11/12/2023		Astound Lunatech	Phone/Cable/Internet	-778.50
		Hicks classes	SC4000 Education & Tra...	-1,645.00
		Staples	52060 Station/Househol...	-14.97
		Home Depot	52180 Building maintena...	-67.57
		Costa hose clamp...	52030 Fire Protective clo...	-91.85
TOTAL				-2,597.89
10/18/2023	Metz, Patrice		US Bank Checking	
10/18/2023			SC2660 Recording Secr...	-75.00
TOTAL				-75.00
10/18/2023	United Healthcare		US Bank Checking	

**Newcastle Fire General Fund**  
**Check Detail**  
**October 11 through November 12, 2023**

---

<u>Date</u>	<u>Name</u>	<u>Memo</u>	<u>Account</u>	<u>Paid Amount</u>
10/18/2023			51310 Employee Group ...	-236.80
TOTAL				-236.80
10/19/2023	Principal Life	1029933-10001	US Bank Checking	
10/19/2023		November 23	51310 Employee Group ...	-228.24
TOTAL				-228.24

Newcastle Fire Development Fees

Revenue & Expense

July 1 through November 12, 2023

	<u>Jul 1 - No...</u>	<u>Budget</u>	<u>% of Bud...</u>
Income			
Income Mitigation Fees			
42010 Investment Income	734.46	1,000.00	73.4%
46440 Mitigation Fees	26,853.67	95,000.00	28.3%
Total Income Mitigation Fees	27,588.13	96,000.00	28.7%
Total Income	27,588.13	96,000.00	28.7%
Expense			
52260 Miscellaneous	0.00	20,000.00	0.0%
54460 Fixed Assets (Equipment)			
53040 Principal	0.00	28,087.26	0.0%
53080 Interest	0.00	1,092.61	0.0%
Total 54460 Fixed Assets (Equipm...	0.00	29,179.87	0.0%
Total Expense	0.00	49,179.87	0.0%
Net Income	27,588.13	46,820.13	58.9%



**John Burns**  
**8778 Heavens Gate Lane**  
**Newcastle CA, 95658**  
**Jburns4885@gmail.com**

---

**Interest:**

As a Newcastle resident I am very interested in supporting our community and building upon the work of previous board members. I believe that our community should take an active role in supporting the changing needs of our fire protection agencies and leaders.

**Professional Profile:**

Experienced aerospace professional with thirty years of measured results managing complex programs and customer support teams. FAA licensed mechanic and pilot managing large complex aerospace projects.

**Current Employer:** StandardAero, world's largest company performing aircraft engine maintenance repair and overhaul.

**Role:** technical sales and service support for California, Arizona, Utah and Nevada.

[www.standaraer.com](http://www.standaraer.com)

**Customers:**

CalFire – my company is currently servicing the aircraft engines being operated by CalFire. I work often with the support teams and firefighters to ensure their aircraft are prepared for service.

New C-130 aircraft coming from US Coast Guard will soon be supported by my company.

AirSpray – Chico based aerial firefighting organization

**Education & Professional Development:**

BS Aviation Maintenance, San Jose State University School of Engineering

Pratt & Whitney Leadership Development program

Siemens PMP Certification

**Certifications**

FAA: Private Pilot

FAA: A&P Mechanic

Six Sigma Greenbelt

UTC ACE Practitioner

**Pertinent Experience**

**Volunteer Firefighter** 1981 -1982 – Alpine County, Bear Valley CA

Participated in equipment maintenance, systems evaluation and maintenance. Participated in multiple fire incidents.

**OATH OF OFFICE**  
**FOR PUBLIC OFFICERS AND EMPLOYEES**  
**(State Constitution, Art. XX, Sec. 3 as amended)**

STATE OF CALIFORNIA}

} ss.

COUNTY OF PLACER}

*I, \_\_\_\_\_, do solemnly swear (or affirm) that I will support and defend the Constitution of the United States and the Constitution of the State of California against all enemies, foreign and domestic; that I will bear true faith and allegiance to the Constitution of the United States and the Constitution of the State of California; that I take this obligation freely, without any mental reservation or purpose of evasion; and that I will well and faithfully discharge the duties upon which I am about to enter.*

\_\_\_\_\_  
(Duties upon which affiant is about to enter)

\_\_\_\_\_  
(Signature of affiant)

*Subscribed and sworn to before me this \_\_\_\_\_ day of \_\_\_\_\_, 20\_\_\_\_\_.*

\_\_\_\_\_  
(Signature of person administering oath)

\_\_\_\_\_  
(Typed or printed name of person administering oath)

\_\_\_\_\_  
(Title)

---

## CAPITALIZATION POLICY

**XXXX.1** This accounting policy establishes the minimum cost (capitalization amount) that shall be used to determine the capital assets that are to be recorded in the Placer Hills – Newcastle Fire Protection Districts' annual financial statements.

**XXXX.2** Capital Asset is defined as a unit of property that:

- a. Has an economic useful life that extends beyond three (3) years; and
- b. Cost is \$10,000 or more.

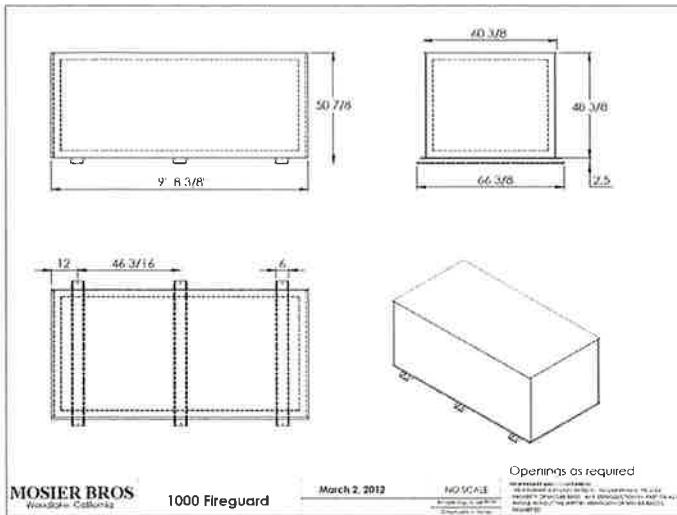
**XXXX.3** All capital purchases require competitive bids. Three bids is preferred unless the purchase is only available from a single source. (See Purchasing Policy). To obtain the benefits of volume purchases or reduce administrative expenses and time, the District may use the competitive bids or RFPs obtained by other governmental entities (piggybacking)



SINCE 1948

SACRAMENTO (916) 363-4898	ANTIOCH (925) 755-3835	GERES (209) 537-0723
PLACERVILLE (530) 622-1551	SANTA CLARA (408) 082-9810	MODESTO (209) 522-7291
GRASS VALLEY (530) 273-6925	RENO (775) 323-1866	SONORA (209) 532-4534
CHICO (530) 342-4376	SAN ANDREAS (209) 754-3550	NEWMAN (209) 862-3736
QUINCY (530) 283-1080	SONORA (209) 536-0767	ATWATER (209) 358-4892
WILLOWS (530) 934-4767	LUREKA (775) 231-5040	
ELKO (775) 738-3835	ELY (775) 289-6776	
GILROY (408) 848-1415	WINNEMUCCA (555) 555-5555	

# Equipment Quote

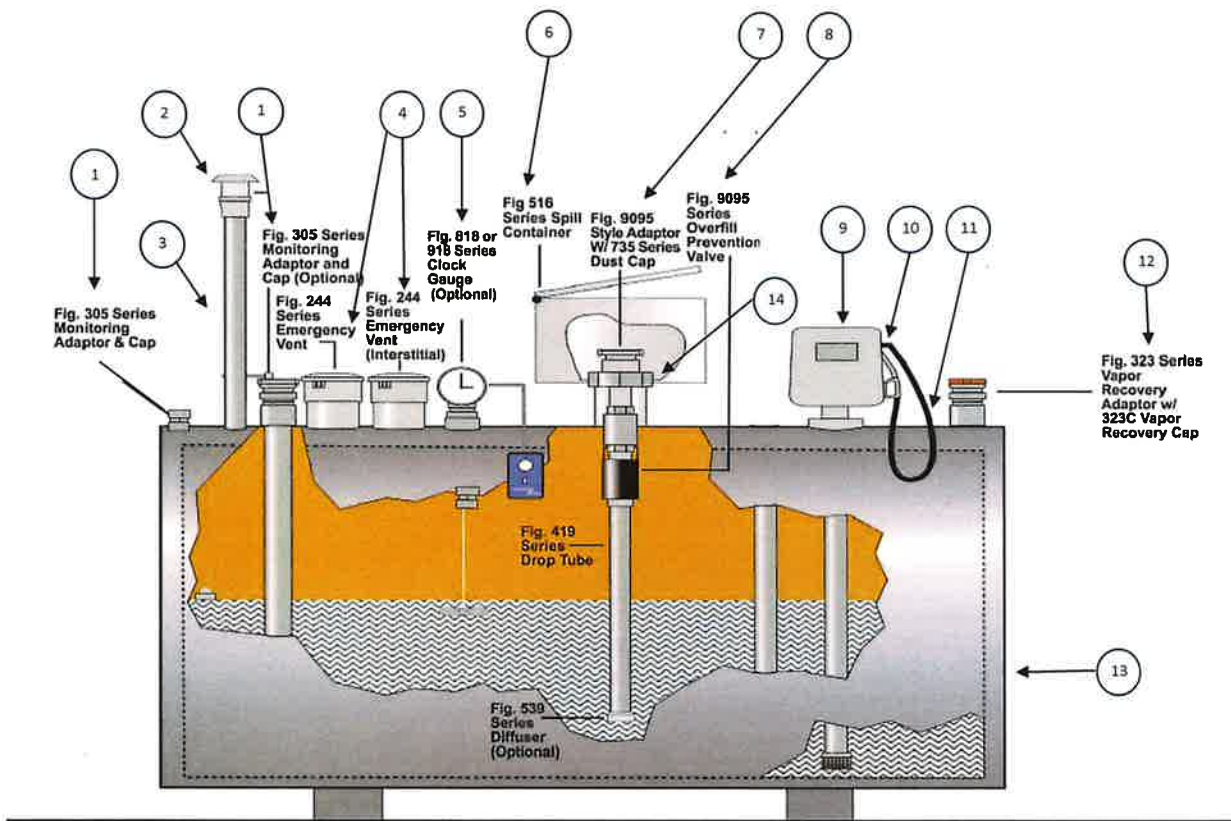


Product ID	Product Description	Qty	Cost	Total
TANK1000G	1,000 gallon Fireguard UL 2085 listed 500 gal/500 gal split	1	\$ 18,398.60	\$ 18,398.60
PMP FR311	Fillrite FR311 30 GPM fuel pump with meter, 1" 12' hose, 1" nozzle	1	\$ 1,737.63	\$ 1,737.63
FITT EVT3	Morrison 3" Emergency vent (primary & secondary)	2	\$ 132.25	\$ 264.50
FITT MSVT2	2" mushroom vent (primary & annular)	2	\$ 35.16	\$ 70.32
GAUGE BKV	Husky Black Knight tank gauge	1	\$ 263.14	\$ 263.14
PIPE 13	1" x 3" MxM nipple	1	\$ 3.18	\$ 3.18
FLTBASE1	1" filter head in/out	1	\$ 24.98	\$ 24.98
ELBW 1IN	1" 90 street elbow fitting FxM	1	\$ 6.30	\$ 6.30
SWV 1IN	1" straight fuel hose swivel	1	\$ 67.68	\$ 67.68
SWV 1X1HD	Husky 1" x 1" HD knuckle swivel	1	\$ 137.87	\$ 137.87
FILCAP	2" fill cap (diesel)	1	\$ 14.60	\$ 14.60
FLTGL200AE	Fuel filter, 1" 10 micron	1	\$ 17.25	\$ 17.25
MISC N/INV	1 1/4" x 48" downtube	2	\$ 65.00	\$ 130.00
MB-244OM-0060AVEVR	3" 16 oz/sq in emergency vent - Male thread, w/o-ring, UL & ULC listed, EVR approved	2	\$ 140.60	\$ 281.20
MB-818-0400AGEVR	2" clock gauge Male w/drop tube float CARB EVR	1	\$ 599.75	\$ 599.75
HU-588S	Husky 2" P/V vent-thread w/3 WCP & 8 WCV w/intern scrn	1	\$ 662.71	\$ 662.71
MISC N/INV	2" x 6' pipe f/primary vent	1	\$ 99.00	\$ 99.00
MISC	4" closed nipple	2	\$ 50.00	\$ 100.00
MB-516M-0400 ACPW	4" - 5 gal Male spill container w/drain centered, coated white	1	\$ 485.69	\$ 485.69
MB-9095AAS200AVEVR	2" AST overflow prevention valve w/2" dry disconnect adaptor x 4" Female threads CARB EVR	1	\$ 1,404.15	\$ 1,404.15
MB-927-0200AAEVR	2" dry disconnect adaptor aluminum w/Viton EVR	1	\$ 225.86	\$ 225.86
MB-735DC-2500ACEVR	2.5" dust cap, alum, CARB EVR approved use with 2" 927 adaptors	1	\$ 77.90	\$ 77.90
MB-305GSP2000AKEVR	2" gauge stick port cap & adaptpr w/ID tag CARB EVR	2	\$ 112.65	\$ 225.30
MB-323C-0100ACEVR	4" vapor recovery cap - CARB EVR approved	1	\$ 59.10	\$ 59.10
PMP FR701A	Fillrite FR700 Series pump w/meter	1	\$ 1,255.25	\$ 1,255.25
PIPE 348	3/4" x 8" MxM nipple	1	\$ 6.98	\$ 6.98
FLTBASE3/4	3/4" filter head in/out	1	\$ 20.25	\$ 20.25
FLTGL200E	Fuel filter, 3/4" 10 micron	1	\$ 31.85	\$ 31.85
ELBW 3/4IN1	3/4" 90 street elbow fitting 1xM	1	\$ 4.36	\$ 4.36
SWV 3/4IN	3/4" straight swivel	1	\$ 88.38	\$ 88.38
SWV HUSKY	Husky 3/4" x 3/4" knuckle swivel	1	\$ 48.91	\$ 48.91
EV-A4005-004	Rebuilt balance nozzle - black EV-A4005-004-C	1	\$ 405.05	\$ 405.05
GD-BAL-144-00	12' Premier ULTRA coaxial w/o venturi whip hose	1	\$ 488.50	\$ 488.50
LABR	Installation of tank components	6	\$ 125.00	\$ 750.00
FRT	Tank delivery fee, equipment rental	1	\$ 1,250.00	\$ 1,250.00
<b>Total</b>				<b>\$ 29,706.24</b>

\* Permitting, vapor inspections, or any other related CARB licensing or fees NOT include.

800-734-2999

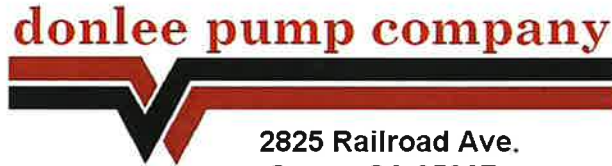
www.huntinsons.com



- 1) MB-305GSP2000AKEVR
- 2) HU-5885
- 3) MISC N/INV
- 4) MB-244OM-0060AVEVR
- 5) MB-818-0400AGEVR
- 6) MB-516M-0400 ACPW
- 7) MB-927-0200AAEVR
- 8) MB-9095AA5200AVEVR
- 9) PMP FR701A
- 10) MISC
- 11) MISC
- 12) MB-323C-0100ACEVR
- 13) TANK1000G

Remote Fill systems: 539 diffuser (shown, optional) or drop tube cut at 45 degree angle. The top of diffuser opening or top of drop tube cut to be no greater than 6" from the bottom of the tank (or per local requirements outside of the State of California).

The fill pipe may have to be removed upon District request to verify that the bottom of the fill pipe is no greater than 6" from the bottom of the tank.



2825 Railroad Ave.  
Ceres, CA 95307  
Lic.# 432089



209-537-9396, FAX 209-537-9398

## Above Ground Tank Supply & Installation

To:	Lawrence Bettencourt	From:	Greg Matas	
Company:	New Castle fire 9211 Cypress St. New Castle, CA 95658	Date:	10/20/2023	
Email	<a href="mailto:ibettencourt4162@gmail.com">ibettencourt4162@gmail.com</a>	Quote	1186	
Phone	650 272-7918		<i>Greg Matas</i>	
Qty	Part No	Description	Each	Extended
		<b>Equipment</b>		
		<b>Tank</b>		
1	CVE-1000	Convault 1000 gallon UL-2085 vaulted above ground fuel storage tank. 11'L x 5'8"W x 4'4" and 18,000 lbs. includes bare steel interior, 6" monolithic concrete outer shell, standard fittings and earthquake restraints.	\$ 25,861.25	\$ 25,861.25
		<b>Gasoline Tank Top equipment</b>		
1	Gasoline Compartment Package	GT-1 Gasoline Tank Trim: Gpro 20 110volt tank mounted fuel pump and meter Morrison 244OS6-6 Emergency Vent ORVR hose 12' and automatic non drip nozzle Morrison 818-0100 level clock gauge Morrison 9095AA5200 EVR 4"x2" Over fill prevention valve with dry disconnect Morrison 419-2 2" x 4' drop tube Husky 5885 EVR PV vent cap Morrison 735DC-2500EVR 2.5" Fill Cap Morrison 323C EVR 4" VR Cap Morrison 323-0300EVR 4x3 VR adaptor DLGENMS ConVault inch gauge stick SSTPIPE & FITTINGS FOR VENT RISER DECALS FOR PRODUCT, WARNINGS, HAZARD AND VOLUME	\$ 5,800.00	\$ 5,800.00

1	Diesel Compartment Package	DT-1 Diesel Tank Trim: Gpro 20 110volt tank mounted pump and meter Morrison 244OS6-8 Emergency Vent Diesel hose 12' and automatic nozzle Morrison 818-0100 level clock gauge Morrison 9095AA5200 EVR 4"x2" Over fill prevention valve with dry disconnect Morrison 419-2 2" x 4' drop tube Morrison 354 2" vent cap Morrison 800 2" Fill Cap Morrison 800 2" Dust Cap DLGENMS Convault inch gauge stick SSTPIPE & FITTINGS FOR VENT RISER DECALS FOR PRODUCT, WARNINGS, HAZARD AND VOLUME	\$ 4,850.00	\$ 4,850.00
		<b>Equipment Sub-total</b>		\$ 36,511.25
		Sales Tax for New Castle, 7.25%		\$ 2,647.07
	DLV	Shipping includes delivery and off-load in New Castle, CA		\$ 1,591.68
		<b>Total cost of equipment</b>		\$ 40,750.00
		<b>Tank Top Installation</b>		
	Tank top installation	Delivery and installation of the Gasoline and diesel tank top equipment in Pleasanton at the Convault plant, (Old Castle Inc.) prior to delivery to job site.		\$ 3,315.00
	Site installation	Site time to manage tank delivery, install tank anchors, bring customer supplied conduit and wire from the edge of slab to the new fuel pumps and connect them. Includes special inspection on the tank anchors. Site time is quoted at prevailing wage.		\$ 6,385.00
		<b>Total Cost of material, delivery and installation</b>		\$ 50,450.00
		<b>Exceptions</b>		
	Plans & Permit	Plans and permits by owner. No provision for permits of any kind is included. Any new requirements that surface shall be quoted at time of discovery and added on a T & M basis or done by others.		
	Concrete	The new tank will be installed on an existing concrete foundation. No allowance is made for concrete work.		
	Note	Additional work not specifically called out above shall be provided by others or by DLP on a time and material basis.		
	Special Instruction	Lead time on this equipment is 6 weeks		
	Terms:	30% deposit with order. 40% due when fuel equipment is delivered, Balance due upon completion.		
	Proposal accepted by	Dated		



(877) 637-3473

# Quote

**Quote #** QT1743771  
**Date** 10/18/2023  
**Expires** 12/31/2023  
**Sales Rep** Kaylor, John W  
**PO #** SCOTT SCBA  
**Shipping Method** FedEx Ground  
**Customer** PLACER HILLS FPD  
**Customer #** C65332

**Bill To**

GILLIAN LOFRANO, DISTRICT MANAGER  
 PLACER HILLS FPD  
 P.O. Box 350  
 Meadow Vista CA 95722  
 United States

**Ship To**

GILLIAN LOFRANO, DISTRICT MANAGER  
 PLACER HILLS FPD  
 17020 PLACER HILLS ROAD  
 MEADOW VISTA CA 95722  
 United States

Item	Alt. Item #	Units	Description	QTY	Unit Price	Amount
X8815025305304			Air-Pak X3 Pro SCBA (2018 Edition) with CGA, Parachute Buckles, 5.5, Standard, No Accessory Pouch, E-Z Flo+ Regulator with Quick Disconnect Hose (Rectus-type fittings), Universal EBSS, None, No, Pak-Tracker, No Case, 2 SCBA Per Box	7	\$7,325.00	\$51,275.00
200969-01			CYL&VALV,CGA,CARB,45/5500 ASSY	14	\$1,339.00	\$18,746.00
201215-28			SCOTT NEW AV3000HT 4 POINT - KEVLAR - RT BRKT - SIZE MED	7	\$329.25	\$2,304.75
200954-15			RIT-PAK III,5.5,LG,AV,RECTUS Bag Size: LARGE Pressure (psig): 5500 Carrying Bag: INCLUDED 6' EBSS Hose 5' RIC Hose Facepiece Model: AV-3000 (RIT-style) Regulator Model : E-Z Flo	1	\$3,425.00	\$3,425.00
200972-01			CYL&VALV,CGA,CARB,60/5500 ASSY	1	\$1,484.27	\$1,484.27

MES PAYS SHIPPING

**Subtotal** \$77,235.02  
**Shipping Cost** \$0.00  
**Tax Total** \$5,599.54  
**Total** \$82,834.56

This Quotation is subject to any applicable sales tax and shipping and handling charges that may apply. Tax and shipping charges are considered estimated and will be recalculated at the time of shipment to ensure they take into account the most current information.

All returns must be processed within 30 days of receipt and require a return authorization number and are subject to a restocking fee.

Custom orders are not returnable. Effective tax rate will be applicable at the time of invoice.

